



www.jtzgy.com
www.jtattach.com

详细情况请与当地代理商联系
For more information, please contact local agents.

本画册最终解释权归江土重工所有



公司简介 COMPANY PROFILE

烟台江土机械设备有限公司是一家集生产研发市场为一体的优秀挖掘机械前端属具生产企业。公司主要生产挖掘机快速连接器, 液压夯, 抓木器, 抓石器, 液压剪, 拆车剪, 铲斗夹, 拇指夹, 松土器等。所有产品配件到发货前检验都有严格的把控。随着企业不断的发展, 江土产品已遍布世界各地, 企业不断创新改进先后获得了ISO9001质量体系认证、CE认证、实用新型技术专利等。

公司始终以用户满意为宗旨, 以精益求精为目标, 全心全意服务于广大客户, 衷心希望我们精湛的专业技能和丰富的技术服务经验, 让您享受到更加优质、快捷、周到的服务。

Yantai Jiangtu Mechanical Equipment Company is a leading manufacturer for excavator attachments in China. All products' quality are strictly under control from processing to delivery. By continuous innovation and improvement, the company has got ISO 9001, CE certifications and Technology Patents successively. Our products have been sold to domestic and overseas customers including America, UK, German, Russia, Japan, Korea, Ireland, Australia, New Zealand, Israel, Vietnam etc, and long term partnerships have been developed.

Our mission is Quality first, Service foremost, and Innovation paramount. Uncompromising commitment to high quality and thoughtful service wins us a good reputation and more coming partners. And we will keep on improving the products to better serve the world market. We are looking forward to working with you!



We reserve the right to amend specifications without prior notice.

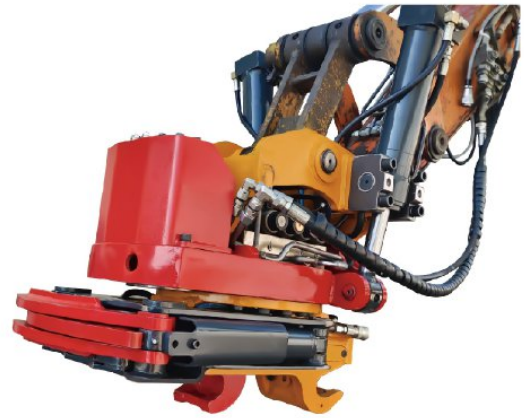
液压手腕 HYDRAULIC TILT ROTATOR

适用对象

2.5-23吨挖机

产品特点

- 360度旋转，左右45度倾斜；
- 具有旋转、摆动的“速度控制”功能；
- 抓夹设计，灵活可拆卸；
- 三保险设计，安全系数更高；
- 采用高强耐磨板材增强液压手腕的使用寿命；
- 具有可调节的大轴距范围，匹配国内外所有常规属具，实现多工种作业；
- 安装简单方便，性价比优越。

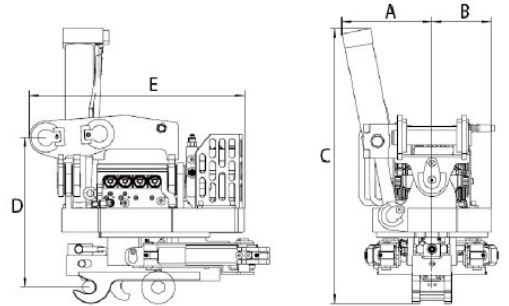
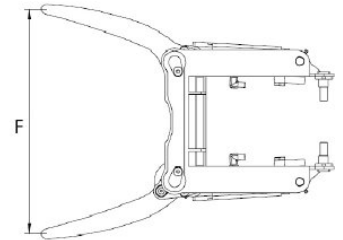


Application

2.5-23 ton excavator

Main features

- 360 degree rotation, 45 degree tilt left and right.
- Speed control function for rotation and tilt.
- Flexible gripper design can be removable as needed.
- Triple locking design, with higher safety factor.
- Long service life benefits from high strength and wear resistant steel.
- Variable pin center distance design is suitable for matching all attachments to achieve multi-type operations.
- Simple and convenient installation, excellent cost performance.



类别/ Category	Unit	JT01	JT02/04	JT06	JT08
A/B/C/D/E/F	mm	245/160/745/400/580/400	270/185/820/420/690/550	357/293/1130/540/960/750	397/328/1240/610/1130/1120
摆动角度 Tilt Degree	°	±45°单缸/ Single Cylinder	±45°单/双缸可选/ Single/Double Cylinder	±45°双缸/ Double Cylinder	±45°双缸/ Double Cylinder
总重量 Total Weight	kg	160(19)	240/220(40)/280(50)	630(98)	1035(190)
电磁阀组路数 Solenoid Valve Chanel		5	5	5	5
倾覆力矩 Tilt Torque	kn.m	21	42	84	98
适配挖机 Suitable Excavator	ton	2.5-4	4.5-11	12-16	18-23
轴径/轴距/开档调整范围 Pin Dia./Pin Distance/Bucket Width Range	mm	35-40/130-180&180-220/ 110-160	40-45-50/230-320&220-320/ 145-210	55-60-65/350-410/230-320	70-80/452-500/290-350

铸造三保险连接器

CASTING TRIPLE LOCKING QUICK HITCH COUPLER

产品特点

- 市场首创三保险设计，安全耐用，不掉斗；
- 高度低，重量轻，节约能耗；
- “补偿量”概念设计，解决挖机挂快换装车“撒土”及“挖掘力下降”的问题；
- 设计合理，产品使用寿命长，性价比高；
- 柔性触发设计，维护保养成本低；
- 轴距范围可达220-320mm，适用更多不同尺寸的挖斗等属具。

Main features

- The first triple locking designs in the current market. This design ensure safe and durable, never drop the bucket.
- Lower height, lighter weight, and saving more energy consumption.
- The concept design of "compensation volume" solves the problems of "scattering soil" and "decrease in excavation power" for user.
- Reasonable design, long service life and high cost performance.
- Flexible trigger design makes lower maintenance cost.
- The center to center distance range can be reached 220-320mm, which is suitable for more different attachment sizes.



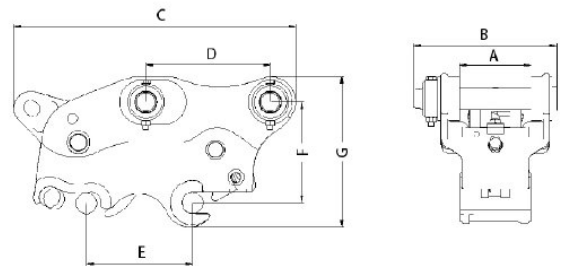
活动钩止动保险
SLIDE JAW LOCK



后保险
REAR LOCK



前保险
FRONT LOCK



类别/ Category	Unit	JT-00	JT-01A	JT-01B	JT-02	JT-04	JT-06	JT-08
总长度 Length	mm	400	410	455	593	581-610	760	920-955
总宽度 Width	mm	240	280	295	264-270	265-283	351-454	450-483
总高度 Height	mm	185	250	258	302	318	400	512
小臂开档 Arm Open Width	mm	90-120	110-130	120-140	145-200	181-205	230-317	290-345
轴中心距 Pins Center Distance	mm	90-130	140-180	190-230	220-310	290-350	350-400	430-480
轴直径 Pin Diameter	mm	25-30	30-40	30-40	45-50	50-55	60-65	80
油缸行程 Cylinder Strok	mm	90-130	140-180	190-230	210-300	300-350	340-440	420-510
上下轴间距 Vertical Pins Center Distance	mm	90-135	100-180	170-230	180-190	200-205	240-255	300
重量 Weight	kg	24	32	37	50-75	80-110	170-210	350-390
工作压力 Working Pressure	bar	30-400	30-400	30-400	30-400	30-400	30-400	30-400
必要流量 Necessary Flow	lpm	10-20	10-20	10-20	10-20	10-20	10-20	10-20
适配挖机 Suitable Excavator	ton	0.8-2	2-4	2-4	4-6	6-9	10-16	18-25

摆动连接器

TILTING QUICK HITCH COUPLER

适用对象

0.8-25吨挖掘机

产品特点

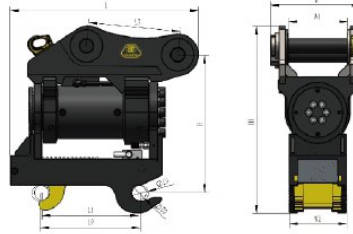
- 左右倾斜70-90度;
- 无外漏油缸, 更稳定可靠;
- 双保险设计, 弹簧保险适应更恶劣工况, 保养方便;
- 高性能板材优化整机重量, 产品更耐用;
- 大行程设计, 可适配不同轴距属具。

Applications

Fit to 0.8-25 ton excavator

Main features

- Tilt $\pm 70^{\circ}$ to 90° .
- There are no exposed cylinders, It is very safe and stable.
- Double-locking safety design. The powerful spring safety lock can work in very tough working environments. Easy maintenance.
- Using high strength steel to increase durability and to reduce weight.
- Variable pin center design allows you to easily pick up attachments with different pin center distances.



类别/ Category	Unit	JT-00	JT-01A	JT-01B	JT-02	JT-04	JT-06	JT-08	JT-10
摆动流量 Tilt Necessary Flow	lpm	1.8-2.4	2.8-4.0	4.3-6.8	7.6-10	14-19	18-24	28-37	60-80
摆动缸角度Tilt Degree	°	180	180	180	180	180	140	140	120
摆动缸工作压力Tilt Working Pressure	bar	210	210	210	210	210	210	210	210
连接器工作压力Quick Coupler Working Pressure	bar	25-300	25-300	25-300	25-300	25-300	25-300	25-300	25-300
必要流量 Necessary Flow	lpm	15-25	15-25	15-25	15-25	15-25	15-25	15-25	15-25
轴直径 Pin Diameter	mm	20-30	35-40	35-40	40-45	50-55	60-65	70-80	90-100
尺寸 Overall Dimension (L*W*H)	mm	396*436*220	458*532*283	458*532*283	587*582*322	634*640*348	815*756*396	830*822*496	1095*638*1075
设备重量 Weight	kg	56	82	120	180	220	385	594	1150
适用挖机 Suitable Excavator	ton	0.8-1.5	2-3.5	2-3.5	4-6	7-9	10-15	20-25	18-36

全自动双保险连接器

FULLY AUTOMATIC DOUBLE-LOCKING QUICK HITCH COUPLER

适用对象

0.8-52吨挖掘机

产品特点

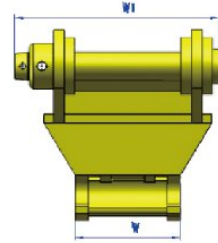
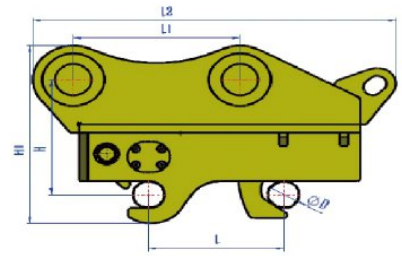
全自动双保险，安全系数更高，使用寿命更持久。

Applications

Fit to 0.8-52 ton excavator

Main features

Fully automatic double locking safety system, more safe and durable.



Smooth welding



Heat treated pin with accurate grinding



类别/ Category	Unit	JT-00	JT-01	JT-02	JT-04	JT-06	JT-08	JT-10	JT-14
工作压力 Working Pressure	bar	25-300	25-300	25-300	25-300	25-300	25-300	25-300	25-300
必要流量 Necessary Flow	lpm	15-25	15-25	15-25	15-25	15-25	15-25	15-25	15-25
适配挖机 Suitable Excavator	ton	0.8-2	2-4	4-6	6-9	10-16	18-25	26-30	30-40
斗轴直径 Pin Diameter	mm	25/30	35/40	45	50/55	60/65	70/80	100	100/110
尺寸 Overall Dimension	mm	428*250*205	439*285*247	579*342*283	670*357*349	838*432*424	993*544*508	1077*612*587	1130*648*662
重量 Weight	kg	34	45	65	78	200	316	620	600-720

液压快速连接器 QUICK HITCH COUPLER

P型和H型连接器

P TYPE & H TYPE QUICK HITCH COUPLER

产品特点

- 安全销更加精准、牢固、安全；
- 油缸使用更持久，更耐用；
- 伸缩虎口更加耐磨，更加坚固，防止断裂。

Main features

- Strong safety pin at accurate position.
- The cylinder is more durable.
- High-abrasive removable hook design.



P TYPE



H TYPE

手自一体连接器

MANUMATIC QUICK HITCH COUPLER

产品特点

- 固定虎口采用延伸板设计，挂斗更方便，不易掉斗；
- 采用符合欧盟标准的三重安全连接器结构设计，安全性能更优；
- 保险结构设计优化，后保险受力时其余核心部件不受力，延长产品使用寿命。

Main features

- Longer front pin hook make it easier to catch the bucket pin.
- Triple safety design with CE certificate.
- Long service life benefits to ideal design that key parts are not stressed.



MANUMATIC



MANUMATIC



类别/ Category	Unit	JT-00	JT-01	JT-02	JT-04	JT-06	JT-08	JT-08S	JT-10	JT-14	JT-17	JT-20
总长度 Length	mm	365-380	440-460	520-542	581-610	760	920-955	950-1000	965-1100	980-1120	1005-1150	1100-1200
总宽度 Width	mm	205-220	235-249	260-266	265-283	351-454	450-483	445-493	543-572	550-600	602-666	610-760
总高度 Height	mm	260-270	260-270	315	318	400	512	515-540	585	550-600	560-615	620-750
小臂开档 Arm Open Width	mm	85-120	125-140	145-200	165-200	220-260	305-335	325-410	345-410	385-440	380-480	500-650
轴中心距 Pins Center Distance	mm	90-120	180-210	225-310	230-310	365-410	440-490	460-490	500-540	550-580	550-630	600-800
斗轴直径 Pin Diameter	mm	25-30	35-40	40-45	45-55	60-65	70-80	90	90-100	100-110	110-120	125-140
油缸行程 Cylinder Strok	mm	90-120	180-210	200-300	300-350	340-440	420-510	450-530	460-560	510-580	500-650	600-700
上下轴间距 Vertical Pins Center Distance	mm	185-190	185-190	200-210	205-220	240-255	300	320	350-370	370-380	370-380	370-380
重量 Weight	kg	25-40	35-64	50-75	80-110	170-210	350-390	370-410	410-520	550-750	550-750	1300-1500
工作压力 Working Pressure	bar	30-400	30-400	30-400	30-400	30-400	30-400	30-400	30-400	30-400	30-400	30-400
必要流量 Necessary Flow	lpm	10-20	10-20	10-20	10-20	10-20	10-20	10-20	10-20	10-20	10-20	10-20
适配挖机 Suitable Excavator	ton	0.8-2.2	2.5-4	4-7	6-9	10-15	18-23	23-26	26-30	30-40	40-52	55-90

质量为先 诚信为本 服务至上
 QUALITY FIRST, SERVICE FOREMOST

www.jtzgy.com
 www.jtattach.com

铸造液压/机械双保险连接器

CASTING HYDRAULIC/ MECHANICAL QUICK HITCH COUPLER

适用对象

0.8-25吨挖掘机

产品特点

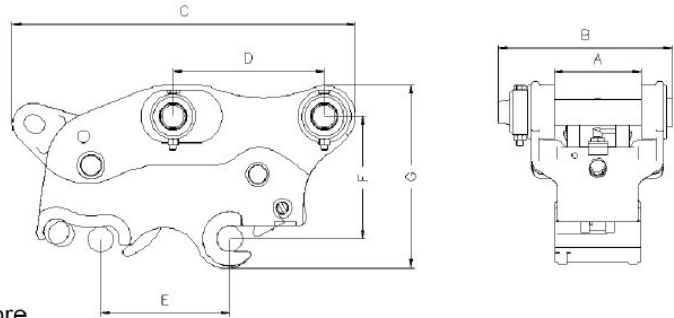
整体铸造，无焊接点，更加美观耐用。

Applications

Fit to 0.8-25 ton excavator

Main features

Cast molding for whole body, no welding joints, more beautiful and durable.



类别/ Category		Unit	JT-00	JT-01A	JT-01B	JT-02	JT-04	JT-06	JT-08
Hydraulic Mechanical	工作压力 Working Pressure	bar	30-400	30-400	30-400	30-400	30-400	30-400	30-400
	必要流量 Necessary Flow	lpm	10-20	10-20	10-20	10-20	10-20	10-20	10-20
	适配挖机 Suitable Excavator	ton	0.8-2	2-4	2-4	4-6	6-9	10-16	18-25
	斗轴直径 Pin Diameter	mm	25-30	30-40	30-40	45	50-55	60-65	80
	重量 Weight	kg	24	32	37	50-75	80-110	170-210	350-390
	上下轴间距 Vertical Pins Center Distance	mm	90-135	100-180	170-230	200-210	200-205	240-255	300

S系列连接器 S QUICK HITCH COUPLER

产品介绍

适用于挖掘机对称的快速连接器标准（S标准）是一项行业标准。S标准的主要优点是高度低、机身设计宽、重量相对较轻，尤其是与国际市场上的许多快速连接器相比，它是一种免维护连接器。

S标准是一种基于三角形的连接器，与专用支架一起确保机器驾驶员和支持人员的最高安全标准。

江土S连接器是一个安全、容易使用并与国际标准协调一致的连接器，与瑞典和北欧等国家的属具衔接顺畅。

产品特点

- “液控单向保险装置与可视性自动开关固定轴保险”两个保险保证安全性；
- S连接器结构紧凑，高度低，尽可能保持挖掘机挖掘力；
- 连接器宽度设计适配绝大多数挖机小臂和工字架宽度；
- 尺寸统一，生产高效，方便备货；
- 适合安装在液压手腕应用中的设计。



Product introduction

The S Coupler standard for excavators is an industry standard. The key benefits with the S-Standard is a low building height, wide body design, relatively low weight and especially, a maintenance-free coupler compared with many quick couplers available on the international market.

The S-Standard is a wedge based coupler that together with the dedicated Brackets assures the highest safety standards for both machine drivers and support staff.

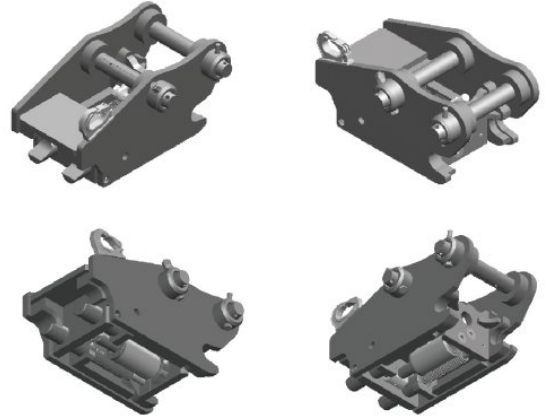
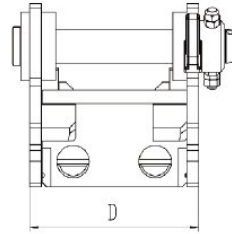
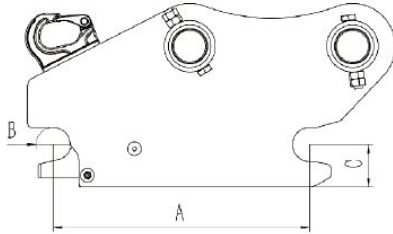
JIANGTU S coupler is a safe, easy-to-use quick coupler that is consistent with international standards and especially can smoothly connect with attachment from Sweden and Nordic countries.

Main features

- Hydraulic one way lock and visual auto safety switch work as two safety locks.
- The S coupler has a compact structure and low height to maintain excavator digging force as much as possible.
- S coupler width is designed to fit most excavator arm and H-link widths.
- Uniform size is friendly to produce and to stock.
- Good design for tilt-rotator.



S系列连接器 S QUICK HITCH COUPLER



S系列液压连接器 S HYDRAULIC EXCAVATOR COUPLER

类别/ Category	Unit	S30/150	S30/180	S40	S40/240	S45	S50	S60	S70	S80
轴心距 A Pin Center Distance	mm	199.8 ± 0.2	229.8 ± 0.2	299.8 ± 0.2	299.8 ± 0.2	429.8 ± 0.2	429.8 ± 0.2	479.8 ± 0.2	599.8 ± 0.2	699.8 ± 0.2
轴径 B Pin diameter	mm	30	30	40	40	45	50	60	70	80
宽度 D Dipper Width	mm	148 ± 1	178 ± 1	198 ± 1	238 ± 1	288 ± 1	268 ± 1	338 ± 1	448 ± 1	588 ± 1
油压 Oil pressure	bar	25-300	25-300	25-300	25-300	25-300	25-300	25-300	25-300	25-300
流量 Operating flow	lpm	15-25	15-25	15-25	15-25	15-25	15-25	15-25	15-25	15-25
适配挖机 Suitable Excavator	ton	2	2	6	7	11	11	18	30	40
设备重量 Weight	kg	27	31	41	42	88	91	170	340	435

S系列机械连接器 S MECHANICAL EXCAVATOR COUPLER

类别/ Category	Unit	S30/150	S30/180	S40	S40/240	S45	S50	S60	S70	S80	S90
轴心距 Pin Center Distance	mm	199.8 ± 0.2	229.8 ± 0.2	299.8 ± 0.2	299.8 ± 0.2	429.8 ± 0.2	429.8 ± 0.2	479.8 ± 0.2	599.8 ± 0.2	699.8 ± 0.2	749.8 ± 0.2
轴径 Pin diameter	mm	30	30	40	40	45	50	60	70	80	90
宽度 Dipper Width	mm	148 ± 1	178 ± 1	198 ± 1	238 ± 1	288 ± 1	268 ± 1	338 ± 1	448 ± 1	588 ± 1	748 ± 1
设备重量 Weigh	kg	27	30	41	49	84	87	155	295	410	750
适配挖机 Suitable Excavator	ton	2	2	6	7	11	11	18	30	40	70

质量为先 诚信为本 服务至上
 QUALITY FIRST, SERVICE FOREMOST

www.jtzy.com
 www.jtattach.com

倒置马达加强抓

DEMOLITION AND SORTING GRAPPLES

适用对象

建筑垃圾、废铁等强硬垃圾的装卸及分拣。

产品特点

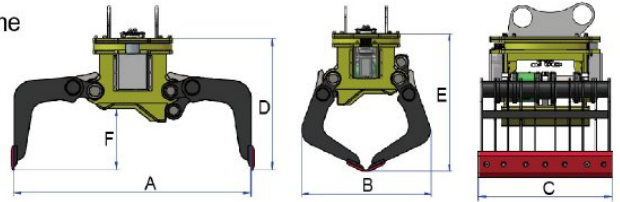
- 高度低，重量轻，节约能耗；
- 采用栅栏式爪形并优化连杆装置，抓取体积大；
- 提高旋转控制精准度，延长产品使用寿命为原来的1.5-2倍；
- 采用高压马达，扭矩大；
- 增加连杆连接轴保护装置，避免磕碰物料；
- 外啮合传动机构，06级别以上比常规增大1.5--3倍扭矩。

Applications

Demolition of solid structures, scrap handling, cleaning, moving, loading, sorting and organizing materials in order.

Main features

- Shorter height and lighter, saving energy consumption
- Fence-type claw shape and optimized linkage device, large grabbing volume
- Improved the accuracy of rotation control, extended the service life
- High-pressure resistant motor with large torque
- Protection device added to the connecting rod pin, avoid collision
- JT06 and above models, the torque increases by 1.5--3 times.



类别/ Category		Unit	JT-01	JT-02	JT-04	JT-06	JT-08
旋转角度	Rotation Angle	°	360	360	360	360	360
马达压力	Motor Pressure	bar	160	190-210	190-210	170	190
马达流量	Necessary Flow	lpm	10	12	12	25	35
油缸压力	Oil Cylinder Pressure	bar	300	300	300	350	350
油缸流量	Oil Cylinder Flow	lpm	35	40	40	100	150
爪尖夹持力	Grab Tip Clamping Force	KN	12	23	23	35	55
张开最大宽度	Open Max.Width A	mm	1160	1400	1400	1700	1950
关闭宽度	Close Width B	mm	785	700	700	1050	1250
爪子宽度	Width C	mm	500	600	600	800	1030
张开/关闭时间	Open/Close Time	s	2.5/3.5	2.5/3.5	2.5/3.5	2.5/3.5	2.5/3.5
设备重量	Weight	kg	240	365	365	775	1220
适配挖机	Suitable Excavator	ton	2.5-4	4-6	6-9	12-16	17-25

加强抓 DEMOLITION GRAPPLE

适用对象

建筑垃圾、废铁等强硬垃圾的装卸及分拣。

产品特点

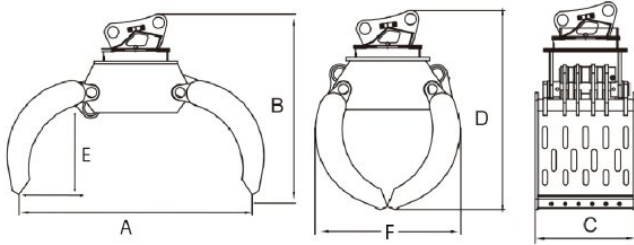
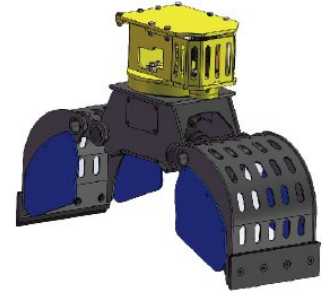
- 大小杂物可一同抓取;
- 耐磨板材设计, 更耐磨, 使用更持久;
- M + S马达带刹车功能, 油缸带美国SUN安全平衡阀;
- 电控和液控系统带有减压阀、溢流阀, 更安全稳定, 操作方便故障率低。

Applications

Demolition of solid structures, scrap handling, cleaning, moving, loading, sorting and organizing materials in order.

Main features

- Capable of grabbing materials of different sizes in bulk.
- Abrasion resistant steel, durable in use.
- Driven by M+S motor with brake valve; cylinder with USA safety valve (USA SUN brand).
- Pressure reducing valve, relief valve (all the valves are USA SUN brand) are in electrical and hydraulic control system, making it safer and much more stable and durable in use.



类别/ Category	Unit	JT-00	JT-00S(850)	JT-00S(950)	JT-01	JT-02	JT-04	JT-06	JT-08	JT-10
旋转角度 Rotation Angle	°	-	360	360	360	360	360	360	360	360
马达压力 Motor Pressure	bar	-	90-110	90-110	90-110	110-120	110-120	130-150	130-150	130-150
马达流量 Necessary Flow	lpm	-	20-30	20-30	20-30	30-55	30-55	40-70	40-70	40-70
油缸推力 Oil Cylinder Force	ton	3.8	3.8	3.8	5.3	8.8	10	17.2	19.6	23.7
油缸压力 Oil Cylinder Pressure	bar	160-200	160-200	160-200	160-200	160-200	160-200	200-250	250-300	250-300
油缸流量 (单条) Oil Cylinder Flow	lpm	5-15	5-15	5-15	15-30	20-40	25-50	40-60	45-60	50-65
Open Width A	mm	770	850	950	1160	1400	1500	1700	1950	2400
Width C	mm	350	425	425	450	500	600	800	1030	1200
Depth E	mm	205	250	312	326	437	440	445	530	652
闭合外尺寸 F	mm	497	582	625	779	837	884	1055	1179	1379
无头不旋转重量 Fix Type Weight	kg	70	96	102	160	245	316	613	974	1500
旋转设备重量 Rotating Type Weight	kg	-	165-185	170-190	230-240	310-330	440-460	900-960	1350-1500	1700-2100
适配挖机 Suitable Excavator	ton	1-2	2-2.5	2.5-3	3-4	4-6	6-9	12-16	17-25	26-35

旋转抓木器

ROTATING WOOD GRAPPLE



适用对象

抓木头、抓大物件、杂物。

产品特点

- M + S马达带刹车功能，油缸带美国SUN安全平衡阀；
- 根据需求可做加宽型，下抓可定做3+2,4+3,5+4；
- 电控和液控系统，带美国SUN节流阀和减压阀、溢流阀，更安全稳定，操作方便故障率低。

Applications

Wood and other large scraps handling, moving, loading and organizing.

Main features

- Driven by M+S motor with brake valve; cylinder with USA safety valve(USA SUN brand).
- 3+2,4+3,5+4 fingers for your option.
- Throttle, pressure reducing valve, relief valve (all the valves are USA SUN brand)are in electrical



类别/ Category	Unit	JT-01	JT-02	JT-04	JT-06	JT-08	JT-10
旋转角度 Rotation Angle	°	360	360	360	360	360	360
夹口尺寸 Max Jaw Opening	mm	1108	1247	1350	1650	2375	2493
马达压力 Motor Pressure	bar	90-110	110-120	110-120	130-150	130-150	130-150
马达流量 Necessary Flow	lpm	20-30	30-40	30-40	40-50	40-50	40-50
油缸压力 Oil Cylinder Pressure	bar	160-200	160-200	160-200	180-230	180-230	200-250
油缸流量（单条） Oil Cylinder Flow	lpm	5-15	12-25	15-25	30-40	55-65	80-95
油缸推力 Oil Cylinder Force	ton	3.8	7	10	15.7	30.7	38.5
设备重量 Weight	kg	220-240	375-395	400-430	765-795	1420-1450	1700
外形尺寸 Dimension L*W*H	mm	1160*520*398	1332*595*405	1365*630*405	1765*805*550	2106*1068*675	2308*1120*812
适配挖机 Suitable Excavator	ton	3-4	4-6	6-9	12-16	17-25	26-35
单条油缸流量 Flow Per Cylinder	lpm	5-15	12-25	15-25	30-40	55-65	80-95

旋转抓石(钢)器

ROTATING STONE/ SCRAP STEEL GRAPPLE



适用对象

抓玉石、大理石等珍贵石材，抓废铁。

产品特点

- M+S马达带刹车功能，油缸带美国SUN安全平衡阀；
- 根据需求可做加宽型，下抓可定做3+2,4+3,5+4；
- 电控和液控系统带美国SUN节流阀和减压阀、溢流阀，更安全稳定，操作方便故障率低。

Applications

Stones, steel and iron scraps demolishing, Scrap handling, Cleaning, Moving, Loading, Sorting and Organizing materials in order.

Main features

- Driven by M+S motor with brake valve, cylinder with USA safety valve(USA SUN brand).
- Custom service is available.(3+2, 4+3, 5+4 fingers for your option).
- Throttle, pressure reducing valve, relief valve (all the valves are USA SUN brand)are in electrical and hydraulic control system, making it safer and much more stable and durable in use.

类别/ Category	Unit	JT-01	JT-02	JT-04	JT-06	JT-08	JT-10
旋转角度 Rotation Angle	°	360	360	360	360	360	360
夹口尺寸 Max Jaw Opening	mm	1108	1247	1350	1650	2375	2493
马达压力 Motor Pressure	bar	90-110	110-120	110-120	130-150	130-150	130-150
马达流量 Necessary Flow	lpm	20-30	30-40	30-40	40-50	40-50	40-50
油缸压力 Oil Cylinder Pressure	bar	160-200	160-200	160-200	180-230	180-230	200-250
油缸流量 (单条) Oil Cylinder Flow	lpm	5-15	12-25	15-25	30-40	55-65	80-95
油缸推力 Oil Cylinder Force	ton	3.8	7	10	15.7	30.7	38.5
外形尺寸 Dimension L*W*H	mm	1160*520*398	1342*595*405	1385*646*405	1765*805*550	2127*980*675	2330*1021*812
设备重量 Weight	kg	230-250	390*410	420-450	790-820	1450-1480	2050
适配挖机 Suitable Excavator	ton	3-4	4-6	6-9	12-16	17-25	26-35

旋转抱式抓木器

ROTATING LIGHT WOOD GRAPPLE

适用对象

抓木头，抓农作物等。

产品特点

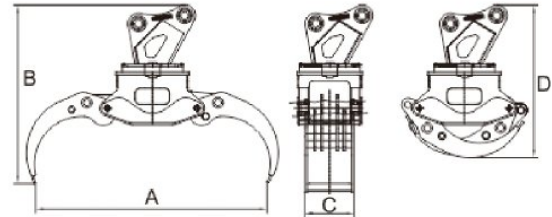
- M + S马达带刹车功能，油缸带美国SUN安全平衡阀；
- 电控和液控系统带美国SUN溢流阀和减压阀，更安全稳定，操作方便故障率低；
- 根据需求可做加宽型。

Applications

Light duty job like waste handling cleaning and organizing.

Main features

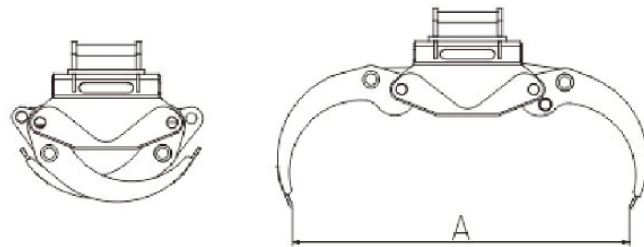
- Driven by M+S motor with brake valve; cylinder with USA safety valve(USA SUN brand).
- Pressure reducing valve, relief valve(all the valves are USA SUN brand)are in electrical and hydraulic control system, making it safer and much more stable and durable in use.
- Custom service is available.



类别/ Category	Unit	JT-00	JT-01	JT-02	JT-04	JT-06	JT-06S	JT-08
旋转角度 Rotation Angle	°	360	360	360	360	360	360	360
马达压力 Motor Pressure	bar	80-100	90-110	110-120	110-120	130-150	130-150	130-150
马达流量 Necessary Flow	lpm	20-35	20-35	30-55	30-55	40-70	40-70	40-70
油缸推力 Oil Cylinder Force	ton	2	3	6	9	12	12	13
油缸压力 Oil Cylinder Pressure	bar	110-140	110-140	160-200	160-200	180-230	180-230	180-230
适配挖机 Suitable Excavator	ton	1-2	3-4	4-6	6-9	11-14	14-16	17-25
Open Width A	mm	906	1222	1322	1525	1819	1950	2530
Width C	mm	313	330	407	470	644	488	604
设备重量 Weight	kg	110-120	240-260	350-370	420-450	740-770	810-860	1100-1160

抱式抓木器

LIGHT WOOD GRAPPLE



类别/ Category	Unit	JT-00	JT-01	JT-02	JT-04	JT-06	JT-06S	JT-08
A	mm	906	1222	1322	1525	1833	1950	2530
工作压力 Working Pressure	bar	110-140	110-140	160-200	160-200	180-230	180-230	180-230
适配挖机 Suitable Excavator	ton	1-2	3-4	4-6	6-9	11-14	14-16	17-25
设备重量 Weight	kg	80-110	180-220	280-320	365-400	410-440	520-560	800-860

质量为先 诚信为本 服务至上
 QUALITY FIRST, SERVICE FOREMOST

www.jtzgy.com
 www.jtattach.com

液压废料抓

HYDRAULIC GRAB-AUSTRALIA TYPE

适用对象

园林，垃圾场，矿山。

产品特点

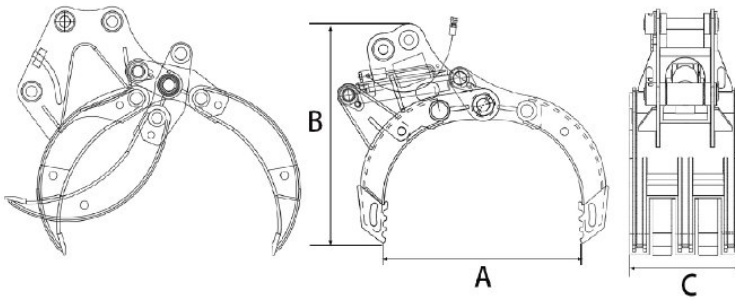
结构新颖、坚固，可调轴距。

Applications

Widely used in waste recycle yards, gradens and mines.

Main features

Eccentric pin design making pin center distance adjustable.NM400 steel.



类别/ Category	Unit	JT-00	JT-01	JT-02	JT-04	JT-06	JT-08	JT-10
油缸压力 Oil Cylinder Pressure	bar	80-110	80-110	110-140	120-160	150-170	160-180	200-220
运行流量 Operating Flow	lpm	25-40	25-40	30-55	50-100	90-110	100-140	160-180
适配挖机 Suitable Excavator	ton	1-2	2-3	4-6	6-9	12-16	17-23	30-36
油缸推力 Oil Cyinder Thrust	ton	3.9	6.6	10	10	12	24	38.8
开口A Open Width A	mm	610	745	830	890	1225	1510	1884
高度B Height B	mm	680	900	1000	1105	1325	1675	2050
宽度C Width C	mm	435	400	495	545	620	820	1000
设备重量 Weight	kg	110-130	130-190	250-290	350-380	570-620	650-800	1900

质量为先 诚信为本 服务至上
 QUALITY FIRST, SERVICE FOREMOST

www.jtzgy.com
www.jtattach.com

莲花抓

ORANGE PEEL GRAPPLE

适用对象

汽车吊、挖机等设备，抓取废钢、废塑料、垃圾等。

产品特点

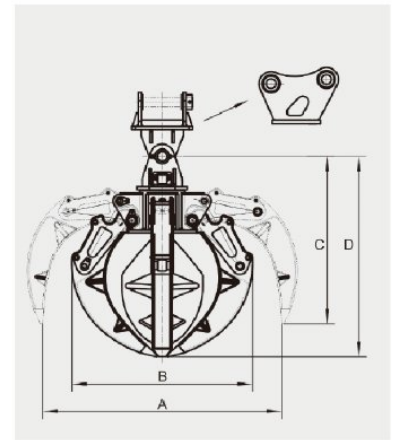
- 销轴经过热处理调质；
- 花瓣选用NM400—500耐磨板；
- 抓举力量大，使用寿命长；
- 可增加360度旋转功能。

Applications

Steel scraps,wastes handling,loading and unloading.

Main features

- Using NM400-500 steel and all pins are heat treated,high carrying capacity and making our grapple with a very long service life.
- 360° rotation function available.



类别 / Category	Unit	JT-01	JT-04	JT-06	JT-08	JT-10
(A) Open Width	mm	1100	1275	1623	1998	2474
(B) Close Width	mm	887	1064	1283	1684	2067
(C) Hight	mm	937	990	1083	1335	1550
(D) Hight	mm	1065	1117	1255	1537	2024
油缸推力 Cylinder Thrust	ton	3.14	3.14	5.6	9	15.7
油缸压力 Oil Pressure	bar	160-200	160-200	180-230	180-230	200-250
闭合容积 Capacity (closed)	m ³	0.10	0.15	0.25	0.60	0.90
张开容积 Capacity (open)	m ³	0.39	0.61	1.08	2.24	2.99
适配挖机 Suitable Excavator	ton	3-4	4-9	12-16	17-25	26-35
设备重量 Weight	kg	200-250	400-600	900-1100	1200-1500	1800-2200

液压夹 HYDRAULIC GRAB-JAPAN TYPE

适用对象

木制建筑结构的拆装分类摆放以及建筑、生活垃圾杂物的清理、装卸。

产品特点

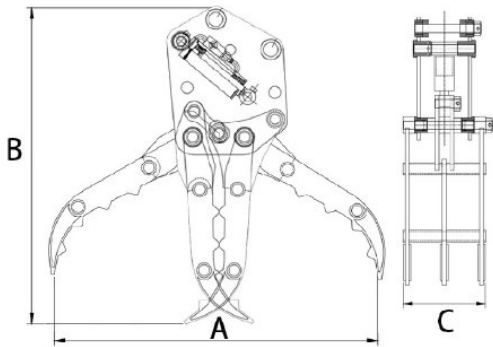
- 操作方便多功能机械手；
- 油缸带美国SUN平衡安全阀，更安全效率更高；
- 安装方便，直接装到破碎锤管路即可；
- 根据需求可做3+4、5+4等不同宽度不同角度。

Applications

Demolition of wooden structures, scrap handling, cleaning, moving, loading, sorting and organizing materials in order.

Main features

- Multi-functional and easy to operate.
- Equipped with balance valve (USA SUN brand), safe and high efficient.
- Easy installation.(share the same pipes with breaker).
- Custom service is available. (3+4 fingers/5+4 fingers for your option.)



类别/ Category	Unit	JT-00	JT-01	JT-02	JT-04	JT-06	JT-08
油缸压力 Oil Pressure	bar	80-110	80-110	110-140	120-160	150-170	160-180
运行流量 Operating Flow	lpm	25-40	25-40	30-55	50-100	90-110	100-140
适配挖机 Suitable Excavator	ton	1-2	2-3.5	4-6	6-9	12-16	17-23
油缸推力 Oil Cylinder Thrust	ton	3.5	4.7	6.6	8.8	24	30
开口A Open WidthA	mm	755	1135	1294	1430	1970	2080
高度B Height B	mm	760	1100	1275	1400	1790	2100
宽度C Width C	mm	280	345	398	400	630	740
设备重量 Weight	kg	80	150	240	265	700	1100

质量为先 诚信为本 服务至上
 QUALITY FIRST, SERVICE FOREMOST

www.jtzgy.com
 www.jtattach.com

液压剪 HYDRAULIC CRUSHER

适用对象

破碎拆除化工设备；破碎拆除房屋。

产品特点

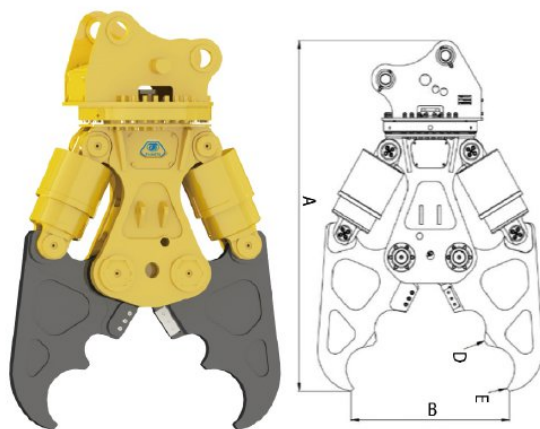
- 刀牙选用蒂森克虏伯XAR系列耐磨板；耐用；破碎力大；加工精度高；不易变形。
- 可增加360度旋转功能。

Applications

Can be used to demolish buildings chemical equipment.

Main features

- Material:ThyssenKrupp XAR steel,High precision,more durable in use.
- 360°rotation function available.



类别/ Category	Unit	JT-06	JT-08	JT-10
A 全长 Total Length	mm	2270	2575	2915
B 开口尺寸 Max.Jaw Opening	mm	1000	1300	1600
刀片长度（内侧外侧） Cutting Blade Length	mm	160	160	240
D 中央切断力 Center Cutting Force	kn	1256	1500	1926
E 前端切断力 Tip Cutting Force	kn	780	962	1254
工作压力 Working Pressure	bar	315	315	315
设备重量 Weight	kg	2010	2580	3780
适用挖机 Suitable Excavator	ton	16-20	20-25	30-35

钢材剪 HYDRAULIC SCRAP SHEAR

适用对象

剪切各种钢结构，用于废钢厂，报废汽车厂，化工厂。

产品特点

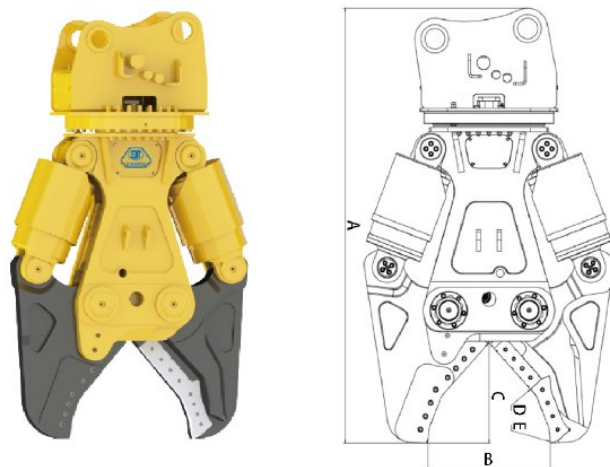
- 刀牙选用蒂森克虏伯XAR系列耐磨板；耐用；破碎力大；加工精度高；不易变形。
- 可增加360度旋转功能。

Applications

Widely used in steel scrap and scrap car factories.

Main features

- Material:ThyssenKrupp XAR steel. Durable in use, high level machining precision and high breaking capacity.
- 360° rotation function available.



类别/ Category	Unit	JT-06	JT-06S	JT-08	JT-08S	JT-10	JT-14	JT-17
A 全长 Total Length	mm	2049	2260	2270	2440	2650	2725	3005
B 开口尺寸 Max.Jaw Opening	mm	665	660	770	740	790	820	870
C 剪口深度 Cutting Depth	mm	435	430	550	550	620	635	730
刀片长度（内侧外侧） Cutting Blade Length	mm	290+200	300+230	350+260	350+260	350+330	370+330	380+440
D 中央切断力 Center Cutting Force	kn	1140	1410	1550	1820	2485	2495	2620
E 前端切断力 Tip Cutting Force	kn	820	950	1050	1250	1445	1500	1590
工作压力 Working Pressure	bar	315	315	315	315	315	315	315
设备重量 Weight	kg	1680	2250	2250	3050	3730	4020	4985
适用挖机 Suitable Excavator	ton	13	16	22	24	30	33	45

质量为先 诚信为本 服务至上
QUALITY FIRST, SERVICE FOREMOST

www.jtzgy.com
www.jtattach.com

鹰嘴剪 HYDRAULIC SHEAR

适用对象

钢结构的破拆，废料钢的处理，汽车拆剪，飞机拆解，轮船拆解等。

产品特点

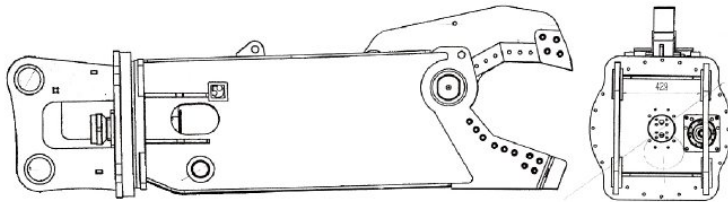
- 可以快速，方便的更换刀片；
- 强大的液压油缸加强了颞嘴的闭合力从而能剪断较硬的钢材。

Application

Breaking the steel structure, scrap steel processing and other applications, steel structure cutting, scrap steel processing and other application.

Main features

- Blades are easily replaced reduce machine downtime and optimize productivity,
- Powerful hydraulic cylinder provides powerful shearing force.



类别/ Category	Unit	JTS-04	JTS-06	JTS-08	JTS-10	JTS-14	JTS-17
油缸流量 Cylinder Flow	lpm	72-102	72-102	102-201	151-250	299-504	601-799
油缸压力 Cylinder Pressure	bar	260	270	320	320	320	320
外观尺寸 Dimensions	mm	1880*556*448	2459*600*716	2900*650*930	3300*800*1037	3725*840*1314	3891*900*1505
开口 Opening	mm	250	360	480	600	800	1030
适配挖机 Suitable Excavator	ton	6-10	10-16	20-25	20-40	30-60	40-80
设备重量 Weight	kg	580	1166	1680	2522	3766	5266

液压夯

HYDRAULIC PLATE COMPACTOR

适用对象

高速公路铁路护坡及路面的平整，工地及厂房地面平整。

产品特点

进口轴承，意大利节流阀、单向阀，美国的安全阀，操作稳定。旋转款的液压夯可在夯实地面时实现360度不同方向的调整，震动频率和震动力度是普通夯的2-4倍。

Application

Leveling of high-speed way and railway slopes, roads, construction sites and building floors.

Main features

Imported bearing (Japan) throttle (Italy) and safety valves(USA),stable and high efficient performance. With 360 degree rotation system, it can do job in any position. JIANGTU plate compactor performs 2-4 times better than normal compactors in compacting frequency and power.



原装进口马达，更加稳定有力
PERMCO motor,stable and powerful

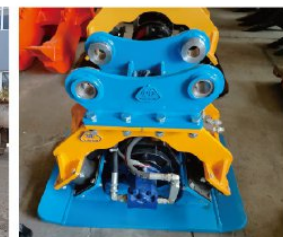


原装进口阀安全可靠，操作方便
Imported relief valve protecting motor well.



减震胶块更持久耐用
Long service life rubber pads.

类别/ Category	Unit	JT-mini	JT-02/04	JT-06	JT-08	JT-10
总高 Height	mm	435	530	650	720	730
总宽 Width	mm	442	550	700	900	900
打击力 Impulse Force	ton	3	4	6.5	11	15
震动频率 Vibration Frequency	rpm/min	2000	2000	2000	2200	2200
油流量 Oil Flow	lpm	30-60	45-85	85-105	120-170	120-170
工作压力 Working Pressure	bar	100-130	100-130	100-150	150-200	150-200
打击面积 Bottom Measurement	mm	800*442	900*550	1160*700	1300*900	1500*1000
适配挖机 Suitable Excavator	ton	2-4	4-10	12-16	18-24	30-40
设备重量 Weight	kg	200	350-500	650-800	900-1000	1100-1300



破碎钳 HYDRAULIC PULVERIZER

适用对象

粉碎房屋梁柱、水泥杆等。

产品特点

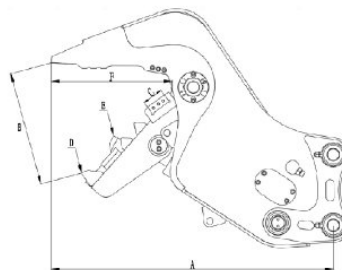
- 材料选用蒂森克虏伯XAR耐磨板，精加工；破碎和剪断钢筋一体功能不变形，破碎力量大。
- 可增加360度旋转功能，可更换牙齿。

Application

Crush beam columns and concrete building.

Main features

- Material:ThyssenKrupp XAR high precision,with both crush and cut functions. Durable in use.
- 360°rotation function available,replaceable teeth available.



类别/ Category		Unit	JT-02	JT-04	JT-06	JT-08	JT-10
总长	Length A	mm	1032	1344	1723	2090	3210
最大开口	Max Open	mm	420	600	750	860	1100
刀片长度	Cutter Length	mm	75	95	112	180	360
中央粉碎力	Cutting Force(C)	kn	260	560	840	1170	1600
粉碎力	Crushing Force(E)	kn	170	350	520	700	1000
工作压力	Working Pressure	bar	240	240	310	320	320
工作流量	Oil Flow	lpm	80-120	100-140	120-180	180-250	200-300
适用挖机	Suitable Excavator	ton	4-6	6-9	10-15	15-25	30-36
设备重量	Weight	kg	310	510	1000	1700	2700



旋转破碎钳 360° ROTATING HYDRAULIC PULVERIZER

适用对象

快速有效地拆除粉碎房屋梁柱、水泥杆等混凝土，同时降低噪音和振动。

产品特点

- 材料选用蒂森克虏伯XAR耐磨板，经久耐用且高度抗建筑磨损；
- 一机多用，具有破碎和剪断钢筋一体功能，破碎力量大；
- 可更换齿设计；
- 配有加速阀，可提供快速的钳口打开和关闭运动，使工作更快、更轻松；
- 360度液压旋转可提供准确的机动性和精度。

Application

Efficient buildings and concrete structure demolition with low noise and vibration.

Main features

- Material:ThyssenKrupp XAR wear-resistant steel, durable and highly resistant.
- Multi-purpose design with powerful force,-can break structure and cutting steel bars.
- Replaceable teeth.
- valve provides faster opening and closing speed.
- 360°rotation for maneuverability and flexible.



类别/ Category		Unit	JT-04	JT-06	JT-08	JT-08S
重量	Weight	kg	600	1450	2000	2700
A开口	Max Open	mm	520	700	780	880
中间剪切力	Cutting Force(B)	ton	76	185	220	300
前端破碎力	Crushing Force(A)	ton	32	60	70	100
工作压力	Working Pressure	bar	350	350	350	350
B刀片长度	Cutter Length	mm	140	180	220	260
旋转最大流量	Max.Rotation Flow	lpm	28	28	28	28
打开/关闭	Open/Close	S	1.8/2.5	1.5/3	2/3	2/3
适用挖机	Suitable Excavator	ton	6-9	10-15	18-22	23-36

液压破碎锤 HYDRAULIC BREAKER

适用对象

应用于矿山、拆除、建筑、采石场等，可安装于所有普通液压挖掘机、小型挖掘机及其它载货设备上，如滑移装载机、反铲装载机、起重机、伸缩式装卸机、轮式装载机等机械。

产品特点

- 缸和主阀：精密加工，防止拉伤；
- 活塞与中缸体一对一配磨；
- 钎杆：42CrMo，性能可靠；
- 油封：原装进口NOK油封。

Applications

Used for mining, building demolition, quarry. It can be mounted on all common hydraulic excavator and other carrier, like skid steer loader, backhoe loader, crane, telescopic loader, wheel loader and other machinery.

Main features

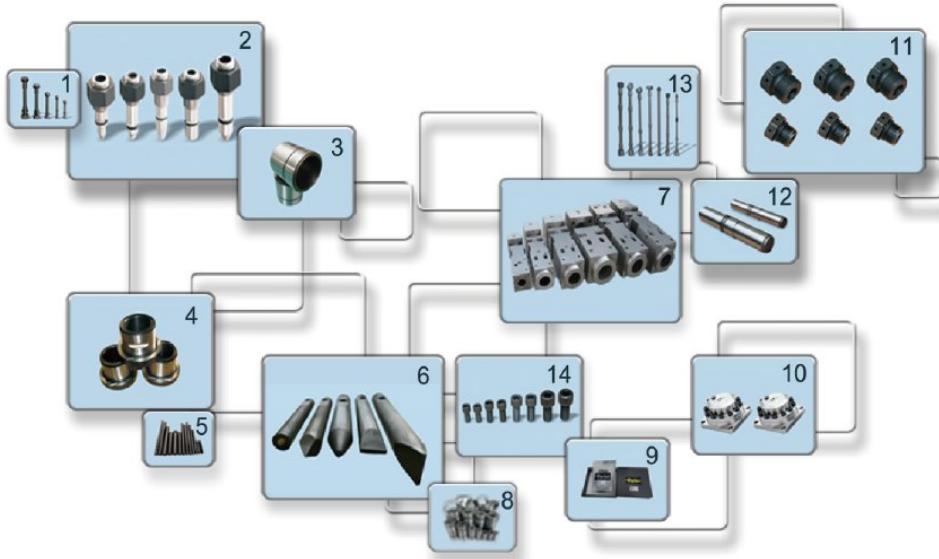
- Cylinder & valves: prevents scuffing with precision finishing treatment.
- Piston: every piston tolerance machined perfectly according to each cylinder.
- Chisel: 42CrMo, exceptional performance and reliability.
- Seal kit: NOK.



类别/ Category	Unit	JTB450	JTB530	JTB680	JTB750	JTB850	JTB1000	JTB1250	JTB1350	JTB1400
机芯重量 Body Weight	kg	67	85	152	210	278	475	616	846	916
总重量 Total Weight (Side/Top/Box)	kg	99/121/139	132/148/168	275/321/325	418/407/413	561/638/629	842/979/948	1381/1463/1427	1609/1698/1650	1950/2050/1978
工作压力 Working Pressure	bar	88-117	88-117	108-137	118-147	127-157	147-167	147-167	157-176	157-176
工作流量 Working Flow	lpm	20-30	25-50	40-70	50-90	60-100	80-110	90-120	130-150	120-180
冲击频率 Impact Rate	bpm	700-1200	600-1100	500-900	400-800	400-800	350-700	350-650	400-800	350-500
油管直径 Hose Diameter	inch	1/2	1/2	1/2	1/2	3/4	3/4	1	1	1
钎杆直径 Chisel Diameter	mm	45	53	68	75	85	100	125	135	140
适用挖机 Suitable Excavator	ton	1.2-3.0	2.5-4.5	4-7	6-9	7-14	10-15	15-18	18-26	18-26

类别/ Category	Unit	JTB1400A	JTB1500	JTB1550	JTB1650	JTB1650F	JTB1750	JTB1850F	JTB1950	JTB2100
机芯重量 Body Weight	kg	952	1088	1309	1438	1586	1929	2411	2626	3396
总重量 Total Weight (Side/Top/Box)	kg	1950/2050/1978	2359/2271/2279	2655/3059/2896	2735/3151/2983	3289/3503/3399	4167/4216/4390	4376/4809	5039/5164	7183/7393
工作压力 Working Pressure	bar	157-176	157-176	176-196	176-196	176-196	176-196	186-216	186-216	196-235
工作流量 Working Flow	lpm	120-180	150-190	200-260	200-260	200-260	210-290	220-270	220-290	290-350
冲击频率 Impact Rate	bpm	350-500	350-700	250-400	250-400	250-380	200-350	200-250	180-200	150-200
油管直径 Hose Diameter	inch	1	1	1-1/4	1-1/4	1-1/4	1-1/4	1-1/4	1-1/4	1-1/4
钎杆直径 Chisel Diameter	mm	140	150	155	165	165	175	185	195	210
适用挖机 Suitable Excavator	ton	18-26	27-35	28-36	30-40	30-40	35-40	35-45	40-55	60-80

破碎锤配件 HYDRAULIC BREAKER PARTS



1. 夹板螺栓 Side bolt
2. 充气阀 Charging valve
3. 内套 Inner bush
4. 外套 Outer bush
5. 圆销 Round pin
6. 钎杆 Chisel
7. 上下缸体 Front&back head
8. 换向阀 Valve
9. 油封 Seal kit
10. 蓄能器 Accumulator
11. 排气阀 Air check valve
12. 活塞 Piston
13. 贯穿螺栓 Through bolt
14. 蓄能器螺丝 Accumulator nuts



破碎锤生产率 HYDRAULIC BREAKER EXCAVATOR PRODUCTIVITY RATE (BREAKER CAPACITY)

生产率/ Productivity	Unit	400	450	530	680	750	850	1000	1350	1400	1550	1650	1750	1800	1900
非钢筋混凝土 Non-Reinforced Concrete(t:30cm)	m ³ /8hr	2-5	4-8	8-16	20-25	20-50	20-55	30-60	90-200	100-220	250-400	300-550	300-700	350-800	380-950
钢筋混凝土 Reinforced Concrete(t:30cm)	m ³ /8hr	4-16	6-23	12-45	30-75	30-80	30-85	50-110	120-300	150-350	300-600	300-720	300-750	350-950	380-1050
硬石 Hard Rock	m ³ /8hr	8-20	12-30	24-60	60-100	60-105	60-110	90-200	200-420	220-450	400-800	400-900	450-930	500-1050	550-1150

钻机 EARTH AUGER

适用对象

螺旋钻机是一种适合建筑基础工程中快速成孔作业的施工机械，适用于多种土质地面。应用于园林，绿化，植树，电力线杆桩基，光伏桩基，高速路及高铁护栏、栅栏，小型房屋桩基引孔，采掘巷道，爆破孔引孔等。

产品特点

- 多种安装架可供选择；
- 伊顿品牌液压马达；
- 持续稳定的强力扭矩输出，经久耐用；
- 各种直径的钻杆，多种钻具可选，适用各种地质；
- 挖掘机、装载机、吊车、滑移等均可承载。

Application

Earth auger is a kind of construction machine suitable for rapid hole operation in the construction foundation engineering, suit to a variety of ground condition . Applies in landscaping, tree planting, power pole pile foundation, photovoltaic pile foundation, highway and high-speed rail guardrail, fencing, pile foundation hole, mining roadway, blasting hole etc.

Main features

- Various mounting hitches are available.
- Eaton-brand hydraulic motorst.
- Continuous and stable strong output torque,more durable.
- Various diameter augers, earth and tungsten wear parts required for various ground conditions .
- Suitable for all variety of excavator, backhoe loader, crane, skid steer loader etc carriers.



型号 Model No.	JTA1500	JTA2500	JTA3000	JTA3500	JTA4500	JTA5500									
适配挖机Suitable Excavator (ton)	1-2	1.5-3	2-4	2.5-4.5	3-5	4.5-6									
钻杆型号Auger Model	S4	S4	S4	S4	S4	S5									
钻杆直径Auger Diameter (mm)	100-400	100-500	100-600	100-750	100-900	150-750									
扭矩范围Torque Range (NM)	511-1496	830-2847	958-2877	1205-3614	1500-4499	1685-5477									
油压范围Oil Pressure Range (bar)	70-205	70-240	80-240	80-240	80-240	80-260									
油流范围Oil Flow Range(lpm)	20-45	27-65	27-75	40-85	50-95	40-115									
速度范围Speed Range(rpm)	44-98	36-87	36-100	42-90	43-81	30-87									
单位高度Unit Height(mm)	585	585	665	665	665	780									
单位直径Unit Diameter(mm)	200	200	244	244	244	269									
单位重量Unit Weight(kg)	46	48	71	73	75	108									
安装架选项 Hitch Options	单销安装架Single Pin Hitch	Single Pin Hitch	Single Pin Hitch	Single Pin Hitch	Single Pin Hitch	Single Pin Hitch									
	双销安装架Double Pin Hitch	Double Pin Hitch	Double Pin Hitch	Double Pin Hitch	Double Pin Hitch	Double Pin Hitch									
	防摆托架Cradle Hitch	Cradle Hitch	Cradle Hitch	Cradle Hitch	Cradle Hitch	Cradle Hitch									
输出轴标准Output Shaft Std	65mm Round	65mm Round	65mm Round	65mm Round	65mm Round	75mm Square									
输出轴选择Output Shaft Opt	2"Hex 57mm Square	2" Hex 57mm Square*	2"Hex 57mm Square	2"Hex 57mm Square	2"Hex 57mm Square	2.5"Hex									
钻杆直径 (mm) Auger Dia(mm)	钻孔深度 (m)			钻孔深度 (m)			钻孔深度 (m)			钻孔深度 (m)			钻孔深度 (m)		
	SOFT (M) MEDIUM (M) HARD (M)	SOFT (M) MEDIUM (M) HARD (M)	SOFT (M) MEDIUM (M) HARD (M)	SOFT (M) MEDIUM (M) HARD (M)	SOFT (M) MEDIUM (M) HARD (M)	SOFT (M) MEDIUM (M) HARD (M)	SOFT (M) MEDIUM (M) HARD (M)	SOFT (M) MEDIUM (M) HARD (M)	SOFT (M) MEDIUM (M) HARD (M)	SOFT (M) MEDIUM (M) HARD (M)	SOFT (M) MEDIUM (M) HARD (M)	SOFT (M) MEDIUM (M) HARD (M)	SOFT (M) MEDIUM (M) HARD (M)	SOFT (M) MEDIUM (M) HARD (M)	
100	2 1.8 1.6	2.5 2.3 2.1	3 2.7 2.4	3 2.7 2.4	4 3.6 3.2	- - -									
150	2 1.8 1.6	↓ ↓ ↓	↓ ↓ ↓	↓ ↓ ↓	↓ ↓ ↓	4 3.6 3.2									
200	1.8 1.6 1.4	↓ ↓ ↓	↓ ↓ ↓	↓ ↓ ↓	↓ ↓ ↓	↓ ↓ ↓									
225	1.8 1.6 1.4	↓ ↓ ↓	↓ ↓ ↓	↓ ↓ ↓	↓ ↓ ↓	↓ ↓ ↓									
250	1.5 1.4 1.3	↓ ↓ ↓	↓ ↓ ↓	↓ ↓ ↓	↓ ↓ ↓	↓ ↓ ↓									
300	1.5 1.4 1.3	2.5 2.3 2.1	↓ ↓ ↓	↓ ↓ ↓	↓ ↓ ↓	↓ ↓ ↓									
350	1.5 1.4 1.3	2.3 2.1 1.9	↓ ↓ ↓	↓ ↓ ↓	↓ ↓ ↓	↓ ↓ ↓									
375	1.5 1.4 1.3	2.1 1.9 1.7	↓ ↓ ↓	↓ ↓ ↓	↓ ↓ ↓	↓ ↓ ↓									
400	1.2 1.1 1	1.9 1.7 1.5	3 2.7 2.4	↓ ↓ ↓	↓ ↓ ↓	↓ ↓ ↓									
450	- - -	1.7 1.5 1.4	2.8 2.3 2.1	↓ ↓ ↓	↓ ↓ ↓	↓ ↓ ↓									
500	- - -	1.5 1.4 1.3	2.3 2.1 1.9	↓ ↓ ↓	↓ ↓ ↓	↓ ↓ ↓									
550	- - -	- - -	2 1.8 1.6	3 2.7 2.4	↓ ↓ ↓	↓ ↓ ↓									
600	- - -	- - -	1.8 1.6 1.4	2.9 2.6 2.3	4 3.6 3.2	4 3.6 3.2									
700	- - -	- - -	- - -	2.3 2.1 1.9	3 2.7 2.4	3.5 3.2 2.9									
750	- - -	- - -	- - -	1.8 1.6 1.4	2.5 2.3 2.1	3 2.7 2.4									
800	- - -	- - -	- - -	- - -	2 1.8 1.6	- - -									
900	- - -	- - -	- - -	- - -	1.5 1.4 1.3	- - -									


Hitch
 托架

Extensions
 延长杆

Auger Drive
 螺旋钻机

Augers
 钻杆

Wear Parts
 钻齿

Stump Planer
 树桩刨具


型号 Model No.
适配挖掘机 Suitable Excavator (ton)
钻杆型号 Auger Model
钻杆直径 Auger Diameter (mm)
扭矩范围 Torque Range (NM)
油压范围 Oil Pressure Range (bar)
油流范围 Oil Flow Range (lpm)
速度范围 Speed Range (rpm)
单位高度 Unit Height (mm)
单位直径 Unit Diameter (mm)
单位重量 Unit Weight (kg)
安装架选项 单销安装架 Single Pin Hitch 双销安装架 Double Pin Hitch Hitch Options 防摆托架 Cradle Hitch
输出轴标准 Output Shaft Std
输出轴选择 Output Shaft Opt

	JTA7000	JTA8000	JTA15000	JTA25000	JTA50000
适配挖掘机 Suitable Excavator (ton)	5-7	6-8	10-15	15-22	21-45
钻杆型号 Auger Model	S5	S5	S6	S6	PA Series
钻杆直径 Auger Diameter (mm)	150-900	150-1200	150-1200	150-1500	300-2400
扭矩范围 Torque Range (NM)	2133-6931	2717-8125	5024-15071	16503-24755	23758-47515
油压范围 Oil Pressure Range (bar)	80-260	80-240	80-240	160-240	160-320
油流范围 Oil Flow Range (lpm)	60-135	70-150	80-170	80-170	100-280
速度范围 Speed Range (rpm)	36-81	33-70	20-43	12-26	11-30
单位高度 Unit Height (mm)	780	780	930	1130	1411
单位直径 Unit Diameter (mm)	269	269	290	345	406
单位重量 Unit Weight (kg)	112	116	173	269	472
安装架选项 单销安装架 Single Pin Hitch 双销安装架 Double Pin Hitch Hitch Options 防摆托架 Cradle Hitch	Single Pin Hitch Double Pin Hitch Cradle Hitch	Single Pin Hitch Double Pin Hitch Cradle Hitch	Single Pin Hitch Double Pin Hitch Cradle Hitch	Single Pin Hitch Double Pin Hitch Cradle Hitch	Single Pin Hitch Double Pin Hitch Cradle Hitch
输出轴标准 Output Shaft Std	75mm Square	75mm Square	75mm Square	75mm Square	110mm Square
输出轴选择 Output Shaft Opt	"2.5" Hex	"2.5" Hex	---	---	100mm Square 130mm Square

钻杆直径 (mm) Auger Dia (mm)
150
200
225
250
300
350
375
400
450
500
550
600
700
750
800
900
1000
1200
1500
1800
2000
2200
2400

钻杆直径 (mm) Auger Dia (mm)	JTA7000 钻孔深度 (m)			JTA8000 钻孔深度 (m)			JTA15000 钻孔深度 (m)			JTA25000 钻孔深度 (m)			JTA50000 钻孔深度 (m)		
	SOFT (M)	MEDIUM (M)	HARD (M)	SOFT (M)	MEDIUM (M)	HARD (M)	SOFT (M)	MEDIUM (M)	HARD (M)	SOFT (M)	MEDIUM (M)	HARD (M)	SOFT (M)	MEDIUM (M)	HARD (M)
150	5	4.5	4.1	6	5.4	4.9	7.5	6.8	6.1	9	8.1	7.3	-	-	-
200	↓	↓	↓	↓	↓	↓	↓	↓	↓	↓	↓	↓	-	-	-
225	↓	↓	↓	↓	↓	↓	↓	↓	↓	↓	↓	↓	-	-	-
250	↓	↓	↓	↓	↓	↓	↓	↓	↓	↓	↓	↓	-	-	-
300	↓	↓	↓	↓	↓	↓	↓	↓	↓	↓	↓	↓	12	10.8	9.7
350	↓	↓	↓	↓	↓	↓	↓	↓	↓	↓	↓	↓	↓	↓	↓
375	↓	↓	↓	↓	↓	↓	↓	↓	↓	↓	↓	↓	↓	↓	↓
400	↓	↓	↓	6	5.4	4.9	7.5	6.8	6.1	9	8.1	7.3	12	10.8	9.7
450	↓	↓	↓	5	4.5	4.1	7	6.3	5.7	8.5	7.7	6.9	11.5	10.4	9.4
500	5	4.5	4.1	5	4.5	4.1	7	6.3	5.7	8.5	7.7	6.9	11.5	10.4	9.4
550	4	3.6	3.2	5	4.5	4.1	7	6.3	5.7	8.5	7.7	6.9	11	9.9	8.9
600	4	3.6	3.2	5	4.5	4.1	7	6.3	5.7	8.5	7.7	6.9	11	9.9	8.9
700	4	3.6	3.2	4.5	4.1	3.7	6.5	5.9	5.3	8	7.2	6.5	10.5	9.5	8.6
750	3.5	3.2	2.9	4	3.6	3.2	6	5.4	4.9	7.5	6.8	6.1	10	9	8.1
800	3	2.7	2.4	4	3.6	3.2	6	5.4	4.9	7.5	6.8	6.1	10	9	8.1
900	2.5	2.3	2.1	3.5	3.2	2.9	5.5	5	4.5	7	6.3	5.7	9.5	8.6	7.7
1000	-	-	-	3.5	3.2	2.9	5	4.5	4.1	6.5	5.9	5.3	9	8.1	7.3
1200	-	-	-	3	2.7	2.4	4.5	4.1	3.7	6	5.4	4.9	8.3	7.5	6.8
1500	-	-	-	-	-	-	-	-	-	5	4.5	4.1	7.5	6.8	6.1
1800	-	-	-	-	-	-	-	-	-	-	-	-	6.5	5.9	5.3
2000	-	-	-	-	-	-	-	-	-	-	-	-	5.8	5.2	4.7
2200	-	-	-	-	-	-	-	-	-	-	-	-	5.3	4.8	4.3
2400	-	-	-	-	-	-	-	-	-	-	-	-	4.8	4.3	3.9

挖机液压吸盘 HYDRAULIC MAGNET

适用对象

用于建筑搬迁、钢厂、废钢铁等行业的钢铁及导磁性材料的分检、调运。

产品特点

- 安装简单、操作方便、故障率低；无噪音，满足环保要求；
- 励磁线圈经特殊工艺处理，提高了线圈的电气和机械能，增强材料耐热等级达到了C级，使用寿命更长。

Application

Used for construction relocation, steel mills, scrap steel and other industries of steel and magnetic materials sorting, distribution and transportation.

Main features

- Simple installation, convenient operation, low failure rate, no noise, meet environmental protection requirements.
- The excitation coil has been treated with a special process to improve the electrical and mechanical energy of the coil. The heat resistance level of the reinforced material has reached level C, and the service life is longer.



类别/ Category	Unit	JT-1200	JT-1200T	JT-1300	JT-1300T
尺寸 Overall size	mm	1200*1150	1400*1200*1150	1300*1150	1500*1300*1150
磁力 Magnetic force	gs	6000(8000)	6000(8000)	8000(10000)	8000(10000)
液压压力 Hydraulic pressure	bar	200	200	200	200
油流量 Oil flow	lpm	60	60	60	60
功率 Power	w	15000	15000	20000	20000
适配挖机 Suitable Excavator	ton	18-25	18-25	25-35	25-35
设备重量 Weight	kg	1750	1850	1900	2050

挖机电磁铁 EXCAVATOR ELECTORMAGNET

适用对象

适用于废铁厂，接触器更换方便，延时开关自动断电。

产品特点

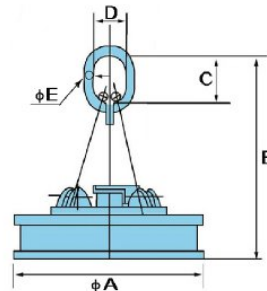
- 起重能力高，自重轻；
- 功耗低，使用寿命长。

Application

Suitable for scrap iron factories, contactors are easy to replace, delay switch automatically power off.

Main features

- High lifting capacity, light self-weight.
- Low power consumption, long service life.



类别/ Category	Unit	JEM-110	JEM-120	JEM-130	JEM-150	JEM-165	JEM-180		
外形尺寸 Size	A	mm	1100	1200	1300	1500	1650	1800	
	B	mm	1400	1180	1240	1250	1590	1490	
	C	mm	220	220	250	350	370	370	
	D	mm	150	150	175	210	230	230	
	E	mm	45	45	50	60	75	75	
重量 Weight	kg	1100	1380	1700	2209	2671	3260		
	电力及起重能力 Rated voltage	冷态功率 Cold Power	kw	6.1	7.4	9	11.3	12.2	16.3
		冷态电流 Cold Current	A	27.7/18	33.6/21.9	40.9/26.6	51.4/33.4	55.5/36	74.1/48.2
	Power & lifting capacity	大钢锭 Big Steel Ingot	kg	6500	7500	8500	11000	12500	14500
		铸铁锭 Cast Iron Ingot	kg	1000/800	1200	1400/110	1900/1500	2300/1800	2750/2100
		切屑 Cuttings	kg	450/400	600	700/600	1100/900	1300/1100	1600/1350
	强励磁方式 Enforced Magnetic Force	功率(冷、热) Power(cold,hot)	kw	13.4/6.4	--	20.7/9.8	27.2/12.9	28.7/13.6	39.1/18.6
电流(冷、热) Current(cold,hot)		A	46.3/32	--	71.3/49	93.8/64.7	98.9/68.2	135/93	
铸铁锭 Cast Iron Ingot		kg	1050/900	--	1500/1250	2000/1700	2500/2100	2900/2400	
设备成套性 Supporting facility	配电柜尺寸 Distribution Box Size	cm	110*60*38	110*60*38	100*60*38	110*60*38	110*60*38	128*65*35	
	配电柜重量 Distribution Weight	kg	41	41	48	48	48	42	
	电缆卷筒重量 Wire Harness Weight	kg	63	63	80	80	80	97	
	电缆线型号 Wire Harness Model		2*10 ²	2*10 ²	2*16 ²	2*16 ²	2*16 ²	2*25 ²	
总重量 Total Weight	kg	1204	1484	1836	2337	2799	3399		

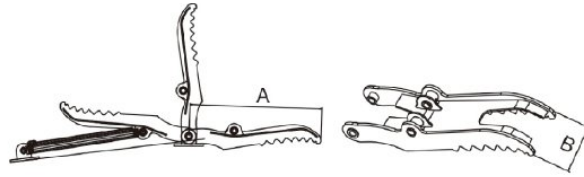
拇指夹 HYDRAULIC THUMB

适用对象

辅助挖斗有更强的功能特点。

产品特点

- 一指多用，简单的辅助装置，成本低，效率高；
- 安装方便，操作灵变，根据不同需求设计定做。



Application

This facilitates your work and makes you flexible to take on a variety of challenging new jobs.

Main features

- Multipurpose, simple auxiliary device , lower cost, higher efficiency.
- Easy to install and operate. We make it according to your machine.



类别/ Category	Unit	JT-00	JT-01	JT-02	JT-04	JT-06	JT-08
工作压力 Working Pressure	bar	110-140	110-140	110-140	120-160	150-170	160-180
工作流量 Operating Flow	lpm	30-55	30-55	30-55	50-100	90-110	100-140
适用挖机 Suitable Excavator	ton	1-2	2-4	4-6	7-10	12-16	17-23
长度A Length A	mm	582	770	915	1143	1450	1780
宽度B Width B	mm	155	246	349	394	450	510
连杆 Base Plate Length	mm	813	1043.5	1220.5	1404.5	1845	2166
重量 Weight	kg	41	65	110	165	325	520
外形尺寸 Overall Dimension	mm	813*155*229	1044*246*322	1221*349*354	1405*392*466	1845*450*580	2166*510*657

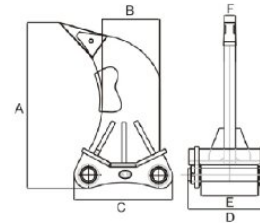
松土器 RIPPER

适用对象

适用对象风化石硬土、冻土层有裂缝的岩层。

产品特点

耐磨保性能板材，不易断裂。



Application

Ripping hard soil such as weathered soil and rocks, tundra etc.

Main features

Abrasion resistant steel and diamond teeth, long service life.



类别/ Category	Unit	JT-00	JT-01	JT-02	JT-04	JT-06	JT-08	JT-08S	JT-10	JT-14	JT-17	JT-20
总长度 Total Length A	mm	523	523	656	656	885	1080	1080	1290	1290	1500	1500
板宽 Width B	mm	130	130	180	180	240	345	345	400	400	465	465
板厚 Thickness F	mm	36	36	55	55	80	90	90	90	110	110	110
适用挖机 Suitable Excavator	ton	1-2	3-4	4-6	6-9	12-16	20-23	23-26	26-30	30-40	40-52	50-90
重量 Weight	kg	30	40	80	85	185	400	410	600	760	1030	1200

质量为先 诚信为本 服务至上
 QUALITY FIRST, SERVICE FOREMOST

www.jtzgy.com
 www.jtattach.com

筛分斗 ROTARY SCREENING BUCKET

适用对象

表土、采石、污染土壤海滩修复，废物回收再利用。

产品特点

- 采用耐磨、抗撕裂的特殊钢材。

Application

Topsoil, quarrying, contaminated soil, beach remediation, demolition waste and green recycling tasks.

Main features

- Special steel that is resistant to wear and tear is used.



类别/ Category	Unit	JTS-04	JTS-06	JTS-08	JTS-10
旋转筛直径 Rotary Screen Dia	mm	810	1000	1350	1500
转速 Rotating Speed	r/s	65	65	65	65
工作压力 Working Pressure	bar	220	230	250	250
油流量 Oil Flow	lpm	60	80	110	110
适配挖机 Suitable Excavator	ton	6-10	12-17	18-23	25-36
设备重量 Weight	kg	630	1020	1920	2430

破碎斗 CRUSHER BUCKET

适用对象

可以破碎混泥土块、鹅卵石、青石、玄武石等多种石料。灵活方便，通过挖掘机可以实现在工地、矿山、制沙场等各种挖机能到达的地方工作。

产品特点

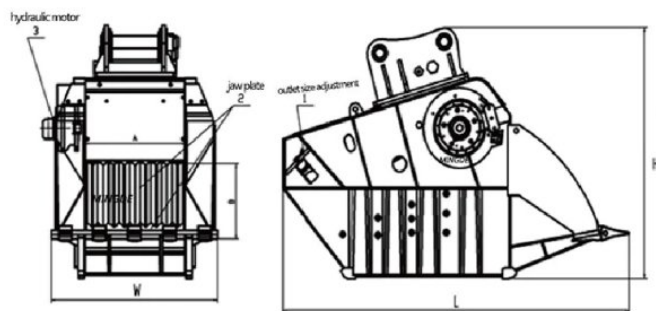
- 采用高强度耐磨板，结构强度高，高效耐用；
- 排料口尺寸可以方便从 15-120 毫米进行调整。

Application

Can crush different hardness rocks like concret, cobblestone, bluestone, graystone etc. anywhere that the excavator can go or reach like jobsites, quarry, sand quarry.

Main features

- Exchangeable jaw plate. Light weight, Higher strength.
- Output size adjustable.



类别/ Category	Unit	JT-06	JT-08	JT-10
适配挖机 Suitable Excavator	ton	10-16	20-25	30-40
斗容 Bucket Volume	m ³	0.5	0.9	1.3
液压压力 Hydraulic Pressure	bar	250	250	250
液压流量 Hydraulic Flow	lpm	90	150	230
入料口尺寸 Inlet Size	mm	550X450	700X600	900X700
排料口尺寸 Discharge Size	mm	15-120	15-120	15-120
整机外型尺寸 Overall Size	mm	1850*1080*1300	2580*1380*1550	3120*1665*1770
整机重量 Bucket Weight	kg	1800	3000	4500

铲斗夹 THUMB BUCKET

适用对象

建筑垃圾、生活垃圾等杂物的清理装卸，岩石抓斗、工程抓。

产品特点

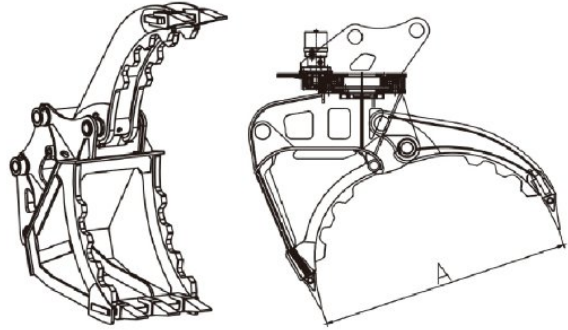
- 更先进的一体式垃圾清理斗，岩石装卸抓斗等；
- 耐磨板材设计，更耐磨，使用更持久。

Application

Construction wastes and solid wastes sorting.
Digging and cleaning jobs.

Main features

- Advanced integrated bucket for rock handling and scraps cleaning.
- Abrasion resistant steel, durable in use.



类别/ Category	Unit	JT-00	JT-01	JT-02	JT-04	JT-06	JT-08	JT-10
斗宽 Bucket Width	mm	300	350/400	400	400	530	700	1000
开档A (Max Jaw Opening)	mm	770	900	1335(1300)	1335	1800	2275	2300
工作压力 Working Pressure	bar	80-120	90-150	120-160	120-160	150-170	168-180	180-200
油缸推力 Oil Cylinder Thrust	ton	1.8-2.7	2.9-4.9	6-8	6-8	11.7-13.3	21.2-23.8	27-30
工作流量 Operating Flow	lpm	20-30	25-35	50-100	50-100	90-110	100-140	140-160
适配挖机 Suitable Excavator	ton	1.5-3	3-4	4-6	6-9	9-16	17-23	25-30
设备重量 Weight	kg	90-120	156	280-330(245-260)	280-330	730	1185-1260	1420



标准斗
GP Bucket



栅栏斗
Skeleton Bucket



耙子
Rake



沟渠斗
Trenching Bucket



倾斜斗
Tilt Bucket



起重叉
Lifting Fork